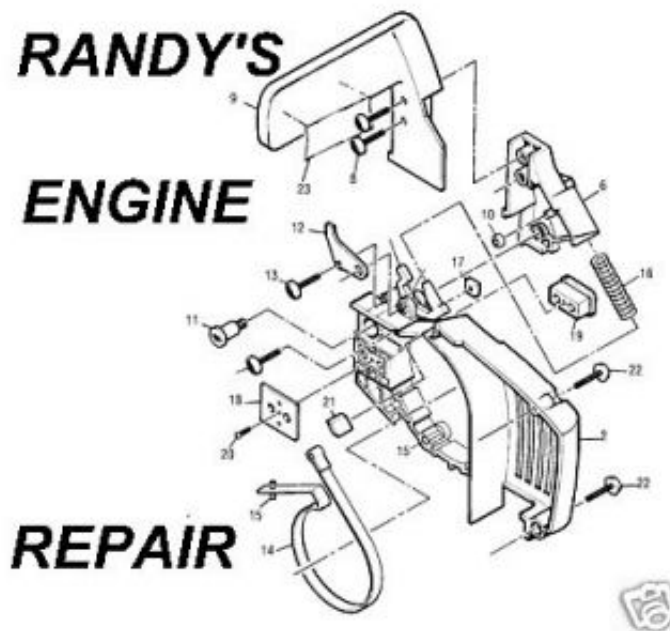




0-WEB.ru

[Mac 3516 Manual](#)





0-WEB.ru

---

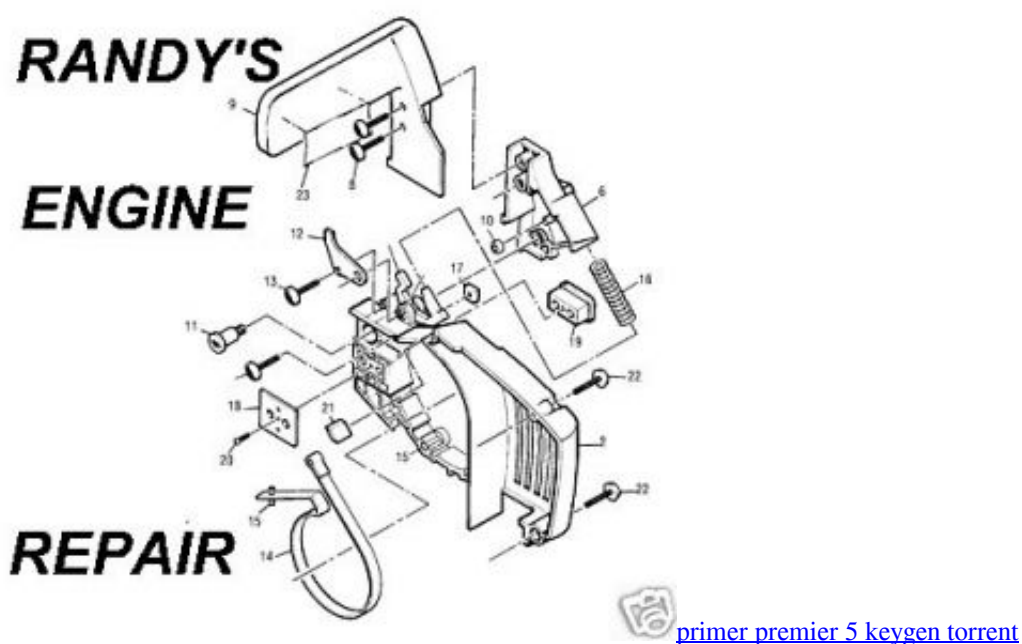
McCulloch Illustrated Part Lists 2009-06-03 McCulloch 1635 AV, 1838AV, Eager Beaver 2116, Eager Beaver 2316, MAC 3516, MAC 3816, MAC 3818, Mac cat 16, Mac cat 18, Mac cat super 16, Mac cat super 18, Promac 3505, Promac 3805, Silver Eagle 2116, Silver Eagle 2318.

1. [manual](#)
2. [manual meaning](#)
3. [manual samuel](#)

## manual

manual, manual transmission, manual therapy, manual terapia, manual espresso machine, manual jelentése, manuale digitale, manual coffee grinder, manuality, manual land, manually, manual meaning, manual car, manual patch lol, manual book, manual jakarta, manual brew adalah, manual adalah [Microsoft Word Cover Page Templates Mac](#)

[Game Club Crossfire Download Ph](#)



[primer premier 5 keygen torrent](#)

## manual meaning

[Bitdefender Mac Download Free](#)  
[driver camara web hp oem wb918la abm 1 23](#)

## manual samuel

[Mac Os Snow Leopard Installer Download](#)

---

0041d406d9 [Budidaya Cacing Sutra Ebook Torrents Reddit](#)

0041d406d9

[Escapist Free Download](#)